




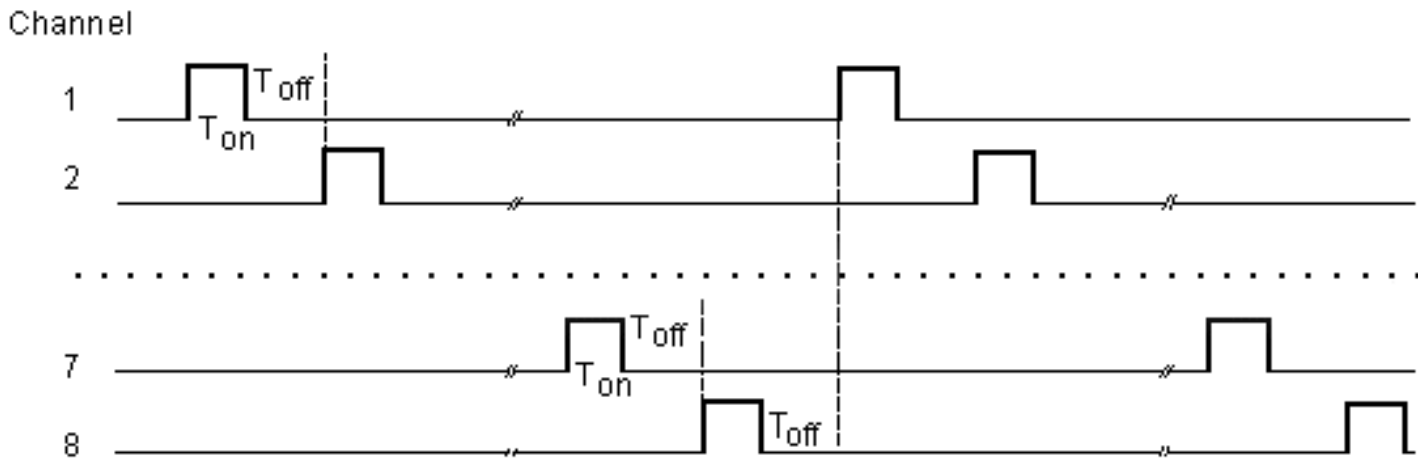
Timer RCN-4(8)

[Description](#) [Features](#) [Operation](#) [Specification](#) [Timing Diagrams](#)

<p>Description</p>		<p>RCN-4 operates 2 to 4 loads (RCN-8: 2 to 8 loads) at a recycling mode. Puls wide and time duration are adjusted by an internal potentiometers. Outputs are galvanic isolated from the Electronic Circuit.</p>
<p>Features</p>	<ul style="list-style-type: none"> ■ Repeatability +/-1% ■ Time delay from sec. to hours (upon request) ■ Up to 8 outputs. Number of active outputs can be set by jumpers ■ Outputs are "Electronical contacts", 1A ■ LED indicate the active output ■ AC or DC supply voltage ■ 3 years warranty ■ Competitive price 	
<p>Operation (Timing diagrams see below)</p>	<ul style="list-style-type: none"> ■ The first load is activated on connecting power for T_{on} sec. ■ After delay T_{off}, the second load is activated for T_{on} sec. ■ After activation of the last load for T_{on} sec. and pause T_{off}, the first load will start again. <p>* Periods T_{on} and T_{off} are upon customer request. * Number of active outputs (return to the first load) can be set by jumpers on the circuit board of RCN.</p>	



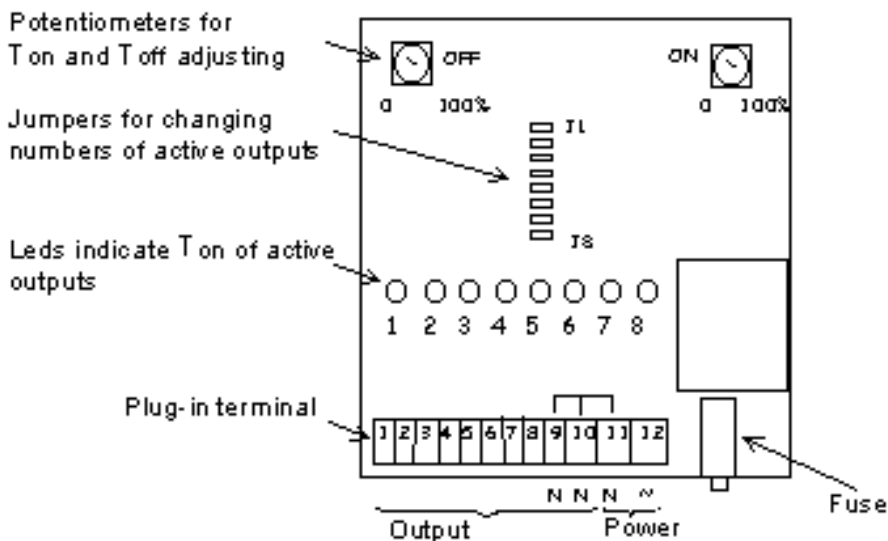
Timing Diagrams for RCN



Specification

PARAMETER	RCN
Display	8 green LED-s indicate active output
Output	* up to 8 "electronical contacts", 1 A. * Number of active output is selected by internal jumpers .
Power supply	24 VDC or 110 /220 VAC
Repeatability	+/- 1% under fixed condition
Ambient Temp.	-10oC ... +50oC.
Connection	Plug-in terminals on the circuit board. Cable connection to terminals are made via glands which can be mounted on a side of a case.
Size	W 132 x H 78 x L 212
Enclosure	Plastic case with transparent cover
Protection	IP-52

Panel description



Connection

