

Recyclic Timer RCD-16

◆ Description ◆

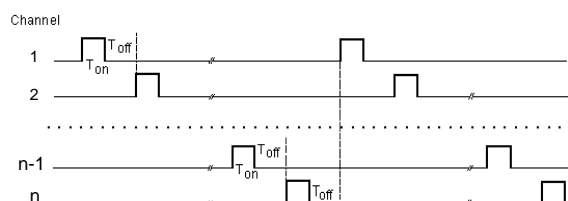
RCD-16 operates 8 to 16 loads at a recycling mode. Pulse wide and time duration are adjusted by an internal potentiometers.

Selection of outputs can be done by jumpers "Outputs Selector" installed on the circuit board. Outputs are galvanic isolated from the Electronic Circuit.

◆ Operation ◆

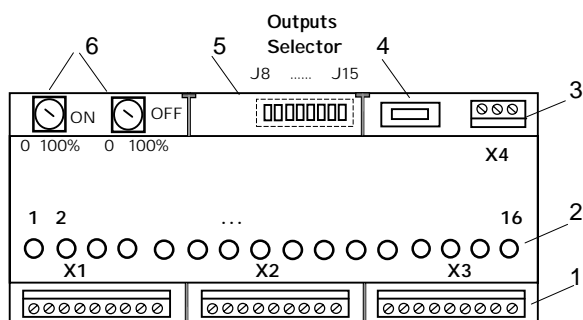
The **first** load is activated on connecting power for T_{on} sec. After delay T_{off} , the **second** load is activated for T_{on} sec.

After activation of the **last** load (**n**) for T_{on} sec. and pause T_{off} , the first load will start again..

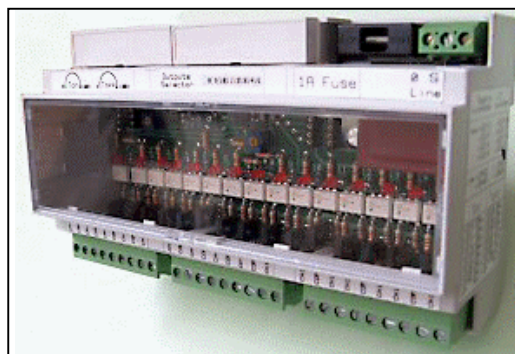


- Periods T_{on} and T_{off} are upon customer request
- Periods T_{on} and T_{off} possibly adjust (in range 2%-10% of max value) by potentiometers ON / OFF (6) located on the front panel (open the plastic cover).

◆ The front panel description ◆



- [1] X1 - X3 output terminals (3 x 9 pins).
- [2] 16 LED-s indicate (T_{on}) active output.
- [3] X4 power supply terminal (3 pins).
- [4] Fuse: 1A (220 Vac), 2A (24 Vdc).
- [5] "Outputs Selector": 8 output selection jumpers.
- [6] Pot. ON / OFF for T_{on} / T_{off} settings.



◆ Specification ◆

Repeatability: $\pm 1\%$ under fixed condition

Power supply: 110 / 220Vac, 24 Vdc

Outputs: Up to 16 "Electronical contacts" /1A. Number of outputs (8 up to 16) can be selected by 8 jumpers "Outputs Selector". The jumper "J8" designates 8 outputs. The "J15" - 15 outputs. 16 outputs are without some jumper.

Display : Red LED indicates active output

Ambient Temp.: $-10 \div +50$ °C.

Enclosure: Plastic case with transparent cover

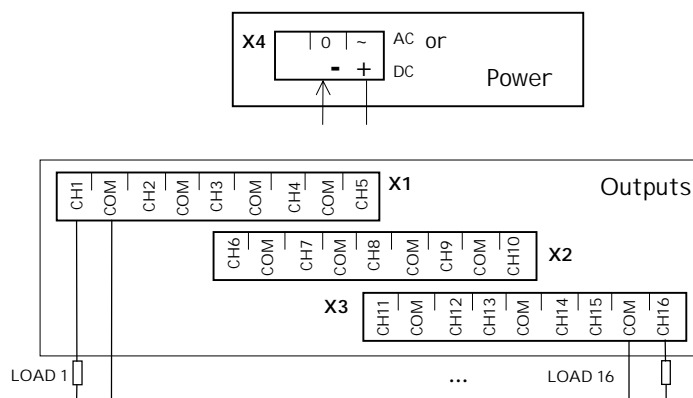
Size: L160 mm x W90 x H 73 mm

Connection: 4 Plug-in terminals
(3 x 9 pins and 1 x 3pins)

Mounting: 35 mm DIN-rail

Protection: IP-54

◆ Connection ◆



RCD-16_E-S-1-08