

MTWT-H-RTD - Temperature Converter

◆ Features ◆

- Accuracy $\pm 0.1\%$ F.S.
- Sensor RTD (PT100)
- 2 wire Transmitter (4-20 mA)
- 2 enclosure variants

◆ Specification ◆

General

Accuracy: $\pm 0.1\%$ F.S. (Linearity, Repeatability and Hysteresis are included)

Measurement range: $-20 \div +100^\circ\text{C}$.

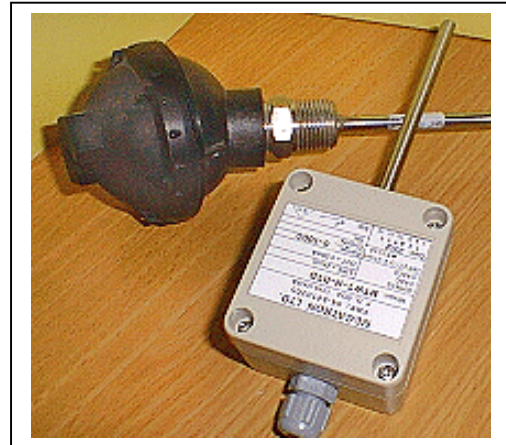
Ambient Temp.: $-20 \div +65^\circ\text{C}$.

Transmitter

Power supply (V_S): 10 ... 36 VDC

Output: $4 \div 20$ mA passive

Load: $R_{LOAD} = (V_S - 10V) / 20\text{mA}$
 ($V_S = 24V$ $R_{LOAD} = 700\Omega$)



Sensor

Size: diameter - $\frac{1}{4}$ " ,
 length - 4" (other - according to order)

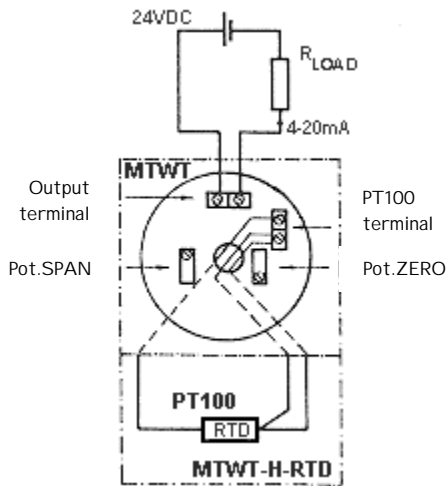
Material: St.Steel 360

Enclosure

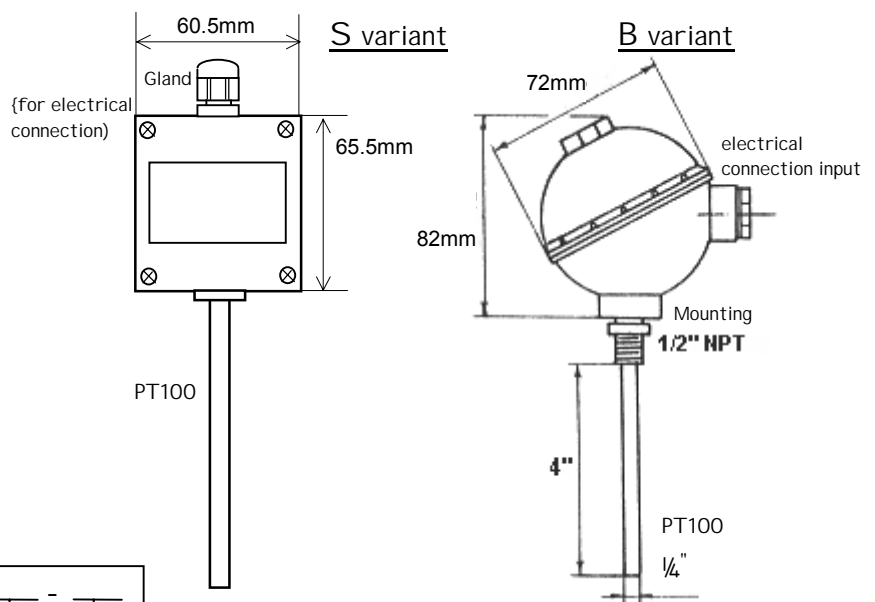
Two variants of plastic case :

	B - Ball	S - square box
Connection	$\frac{3}{4}$ " and screw terminals	gland PG 7
Mounting:	NPT $\frac{1}{2}$ "	-
Weight:	200g	120g

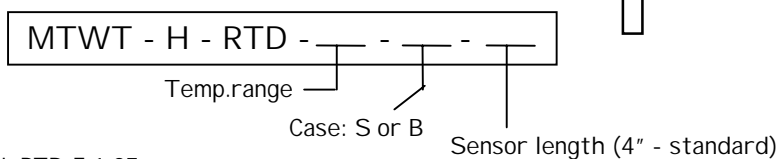
◆ Connection ◆



◆ Dimension ◆



◆ Order ◆



MTWT_H-RTD-E-1-07

megatron electronics & controls ltd

Manufactures & Representatives for Control Equipment



מגטרון אלקטרוניקה ובקרה בע"מ

יצרנים ומפיצים של ציוד מכשור בקרה והתרה