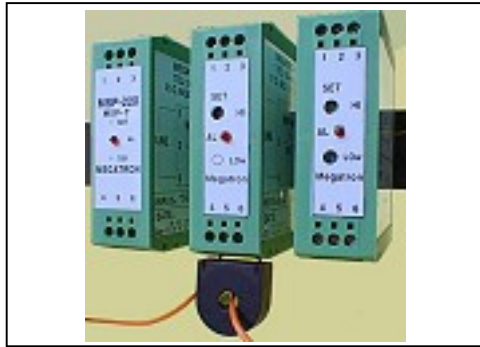


MSP - Set-Point unit

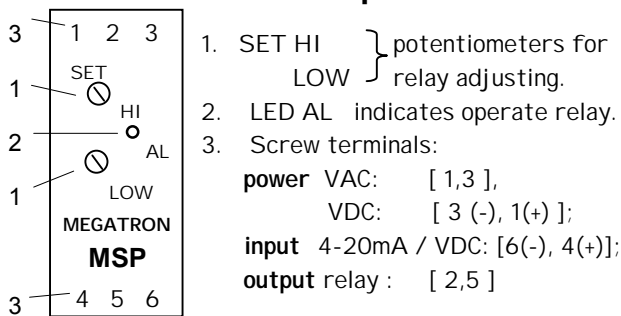


◆ Description ◆

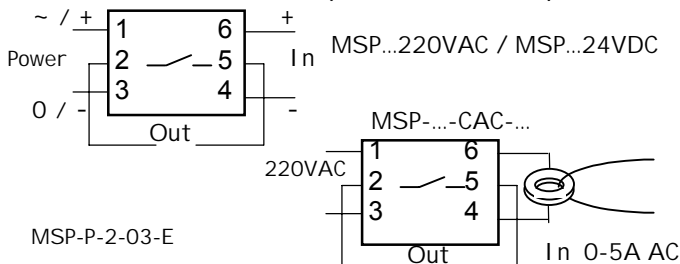
MSP - series of set-point units are used for monitor and ON-OFF control and designed for wide range of input signals: voltage/current DC, current AC, thermistor etc. These models are available:

Model	Description
MSP-N	alarm when input signal is above the set-point HI. Alarm is break when signal is under the set-point LOW (that is to say Set-LOW uses relay hysteresis)
MSP-L	alarm when input signal comes down under the set-point LOW (the regular hysteresis is 10%)
MSP-H	alarm when input signal comes up above the set-point HI (the regular hysteresis is 10%)
MSP-B	alarm when input signal is above the set-point HI or alarm when signal is under the LOW (the regular hysteresis is 10%)
MSP-T	designed to operation with a PTC thermistors (thermal dependent resistance) and provides NO contacts for warning Temp. is above temp. value TNF of thermistor

◆ Panel description ◆



◆ Connection ◆



◆ Specification ◆

Power supply: 115±230 VAC ;
12 /24 /48 VDC with isolation between input and power.

Input:

Code	Description
-CDC-	• current DC 0-1mA /0-20mA /0-50mA, $R_{in} < 25 \Omega$;
-VDC-	• voltage DC 0-1V / 0-5V / 0-10 VDC, $R_{in} > 1 M\Omega$;
-CAC-	• current AC 0±1, 0±5 A AC, conductor (4.5mm ² wire max) passes through current transformer

Output: relay 250 VAC/5A (NO or NC in alarm - according to order).

FSL or FSH mode selected by internal jumper.
Option (-D-): 10sec - delay of relay operation (according to order).

Ambient Temp.: -20 ÷ +60 °C

Enclosure: plastic case UEGM 25.

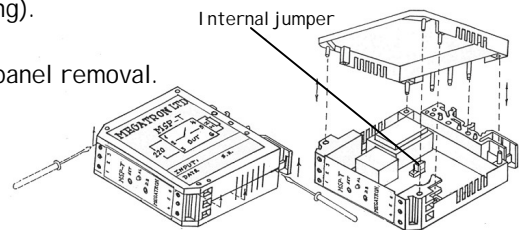
Size: W 25 x H 79 mm and depth D 93 mm.

Protection: IP-40 **Mounting:** DIN-rail

Connection: screw terminals (2.5 mm² wires max)

◆ Calibration ◆

- Two relay set-points can be adjusted by pot' Set HI and LOW.
- Turn the pot' LOW clockwise to end. Turn the pot' SET HI till relay contact closes and LED lights. Set input signal to required minimum and rotate the pot' LOW till relay releases.
- The relay operation mode (operate or release above the set-point) can be change by internal jumper installed on the circuit board (see drawing).



◆ Order ◆

Model	Code	Power	Input	Output	Delay
MSP -N	- CDC -	24VDC -	4{20mA -	NO	
MSP -L	- CAC -	220VAC -	0{5A AC -	NC - D	
MSP -B	- VDC -	24VDC -	0{30V DC -	NC	

megatron electronics & controls ltd

Manufactures & Representatives for Control Equipment



מגטרון אלקטרוניקה ובקרה בע"מ

יצרנים ומפיצים של ציוד מכשור בקרה והתרת

Web site: <http://www.megatron.co.il>

טל. 04-8410704, פקס 04-8410705, רח' מרקוני 12, ת.ד. 1719, ח.פ.ה 31016